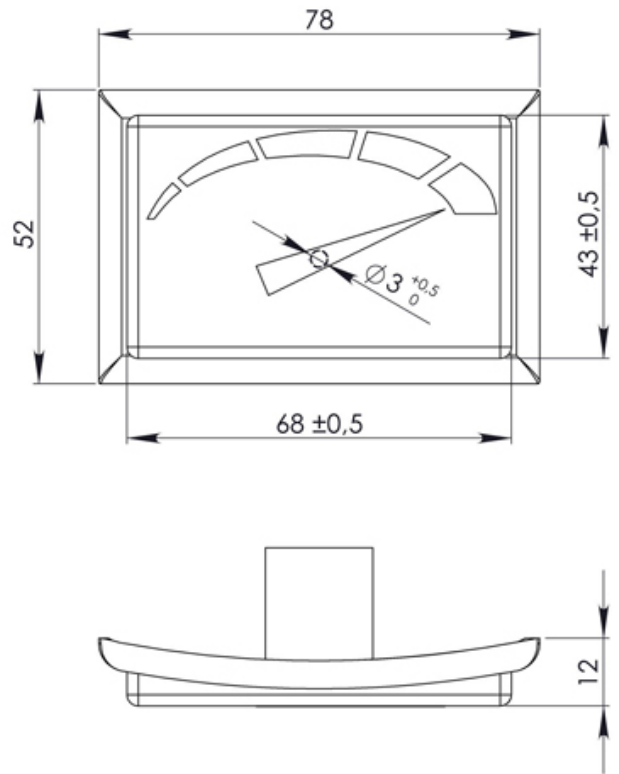


Thermal Indicators



Thermal Indicators

Application

Electric water heaters, gas water heaters, storage tanks, boilers

Description

Shows the approximate temperature inside the water heater tank

Features

- OEM display design
- Customizable drill length
- A variety of temperature ranges
- RoHS compliant (non-RoHS also available)

Weight: ~100 g



SKU #	Drill Length (mm)	Product Description
SJWH-4/RO	30/40	Round/30-85 ° C
SJWH-4/RE	OEM	Rectangular/30-85 ° C
SJWH-5/RE	30/40	Rectangular/30-85 ° C
SJWH-5C/RE	37/47	Rectangular/30-85 ° C
SJWH-7A/RE	30/40	Rectangular/30-85 ° C
SJWH-7C/RE	37/47	Rectangular/30-85 ° C
SJWH-8A/RE	30/40	Rectangular/30-85 ° C
SJWH-8C/RE	37/47	Rectangular/30-85 ° C

Minimum Order Quantity: 5,000 pcs. per type.



686 Wu Zhong Road
Building E, F8, Suite 808
Shanghai, 201103 China

Copyright © 2007 Saneco Corporation LTD.
Products specifications subject to change / modification without prior notice

Tel: (+86 21) 6406 9515
Fax: (+86 21) 6406 9516
sales@sanecocorp.com
sanecocorp.com

saneco
Corporation Ltd.